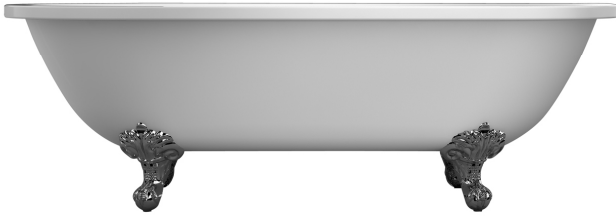


**COLLIER
70" ACRYLIC DOUBLE
ROLL TOP TUB**

Cat. No.
ATDRN70I



L: 70"
W: 31-3/4"
H: 23-3/4"

Water depth: 16 1/4" to top of tub
Water depth: 11-5/8" to overflow

The following is recommended for ATDRN70I tubs:

- Faucets: part #4602, 4022 or 4025
- Rigid, freestanding supplies: part #45024
- Leg tub drain: part #5599LT



Overflow can be drilled.
With overflow drilled this tub
requires drain **5599E**.
**Tubs that have been
drilled with overflow are
"special order" and
are not returnable.**

Gallon Capacity: 57
Shipping Weight: 425 lbs.
Empty Weight: 200 lbs.
Filled Weight: 676 lbs.

Features:

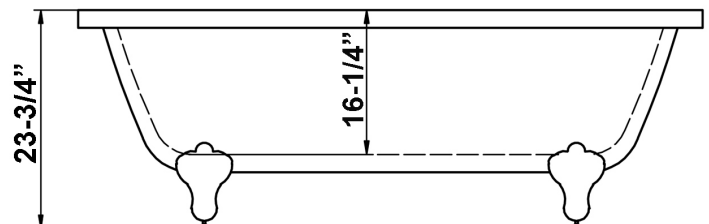
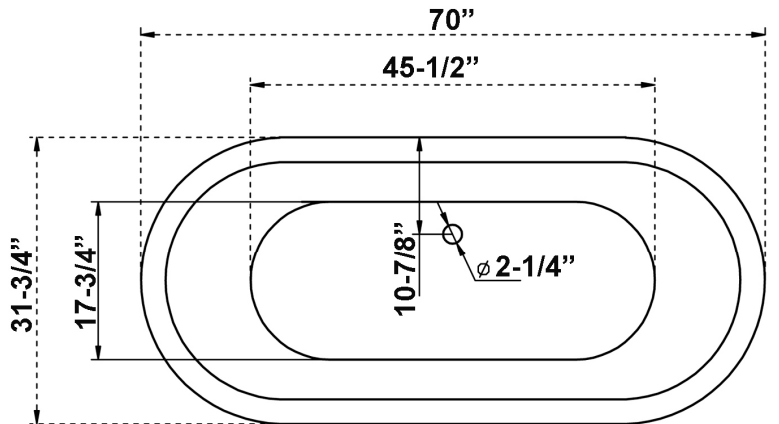
- ▶ Interior and exterior walls acrylic sheets
- ▶ Space between walls partially filled with fiberglass & resin
- ▶ No faucet holes
- ▶ No overflow
- ▶ Aluminum imperial feet available in 4 finishes
- ▶ Tub is thoroughly inspected before shipment



Feet Finishes:

- BN** Brushed Nickel
- CP** Polished Chrome
- PB** Polished Brass
- ORB** Oil Rubbed Bronze

Custom Colors Available (inside of tub is always white enamel):
Painted bathtubs are considered "special order" and are not returnable
\$160 Bisque or Black \$250 Designer Color



Dimensions of fixture are nominal and specifications subject to change without notice.