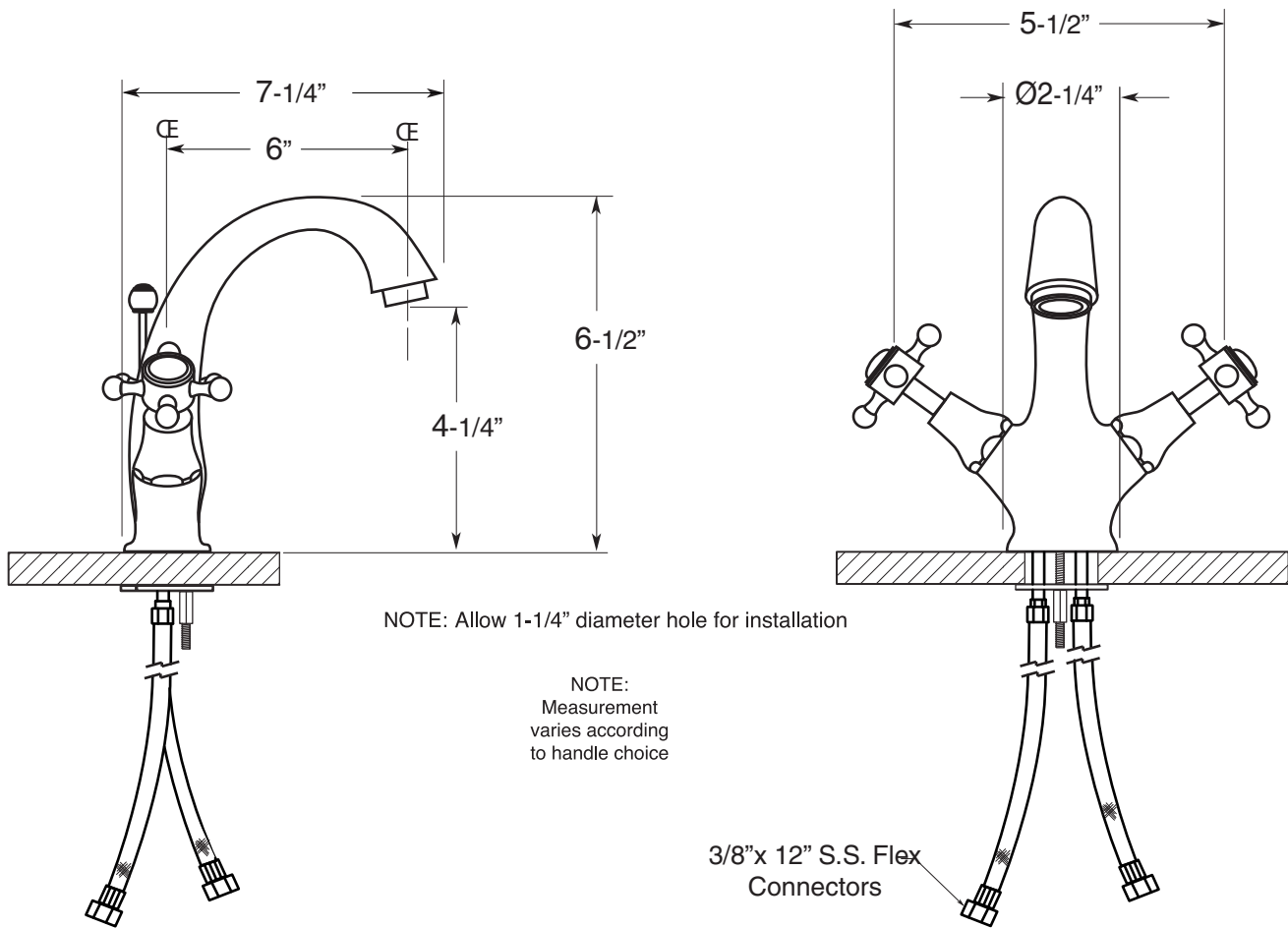


FEATURES:

- All brass construction
- Includes pop-up drain assembly with overflow
- Available in all Sigma finishes
- Not all handles fit this application
- 12" Stainless steel flex lines are supplied
- Maximum deck thickness: 1-1/2"
- Replacement cartridge: 18.30.029-cold, 18.30.030-hot
- Certified to meet or exceed the following codes and standards:
ASME A112.18.1/CSAB 125.1-2011

SPECIFICATIONS
Specialty Fittings

Single Hole Lavatory Faucet
St. Michel Handle
1.005518



Note: Measurements are subject to change or cancellation. No responsibility is assumed for use of superseded or voided pages.